



6 Panel DigiPak 1 CD tray on Centre or Right Panel with Tube pocket

CDP-604

CD & DVD Manufacturing

Tray can be placed on one of these panels

Trim: 17.0485" x 10.6757"

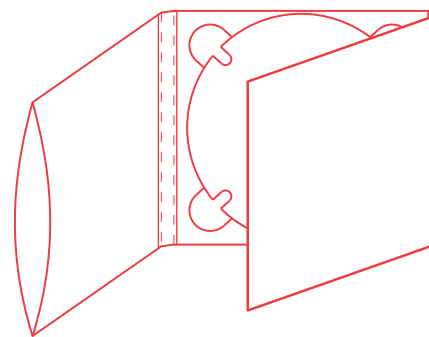
Inside Front Cover

Back Cover

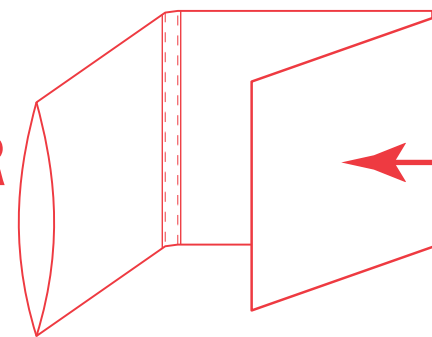
Front Cover

- Type safety
- Cut Line
- Bleed Area

Note: Any artwork that does not meet above requirement may be put on hold and cause a delay. Client will have to resubmit new file(s) or authorize SLI to perform artwork modification at extra cost.



OR



Tray behind this panel